

MarketReady

PRODUCT 20
CATALOG 24

MarketReady

Full Luminaire Portfolio

Market Ready is a full portfolio of indoor and outdoor luminaires, as well as, life safety products.

These LED contractor grade products feature easy to install features, field selectable lumen and kelvin to minimize inventory requirements and are readily available from our centralized distribution center.

Market Ready is more than meets the eye. If you don't see it, ask us!

Customer Service & Quick Quotes

When you need an answer, call Market Ready and you'll speak to a person - not an automated system. Our dedicated team is ready to help make sure your order meets your requirements.

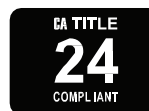
If you're looking to close on a project, our team is armed to help you with a quick quote.

For specific support, use the sales network to identify your local representative.

FEATURES ICONS



STANDARDS ICONS



INDOOR PRODUCT INDEX

MRHBSR - Linear High Bay	06
MRLEDFHB - Full Body Linear High Bay	07
MRHBRSR - Premium Round High Bay	08
MRHBRE - Economy Round High Bay	09
MRCB22 - Center Basket 2x2 Panel	10
MRCB24 - Center Basket 2x4 Panel	11
MRPNL - 2x4 Flat Panel	12
MRPNL - 2x2 Flat Panel	13
MRPNL - 1x4 Flat Panel	14
MRSW - Stairwell Light	15
MRSL - Strip Light	16
MRSLS - Slim Strip Light	17
MRWR - Premium Wrap	18
MRWRE - Economy Wrap	19
MRVT - Vapor-Tight	20
MRVTS - Slim Vapor-tight	21
MRDR - Double Round Surface Mount Light	22
MRSM - Surface Mount Plastic Puff	23
MRLEDUC - Under Cabinet Light	24
MRUCE - Economy Under Cabinet Light	25

OUTDOOR PRODUCT INDEX

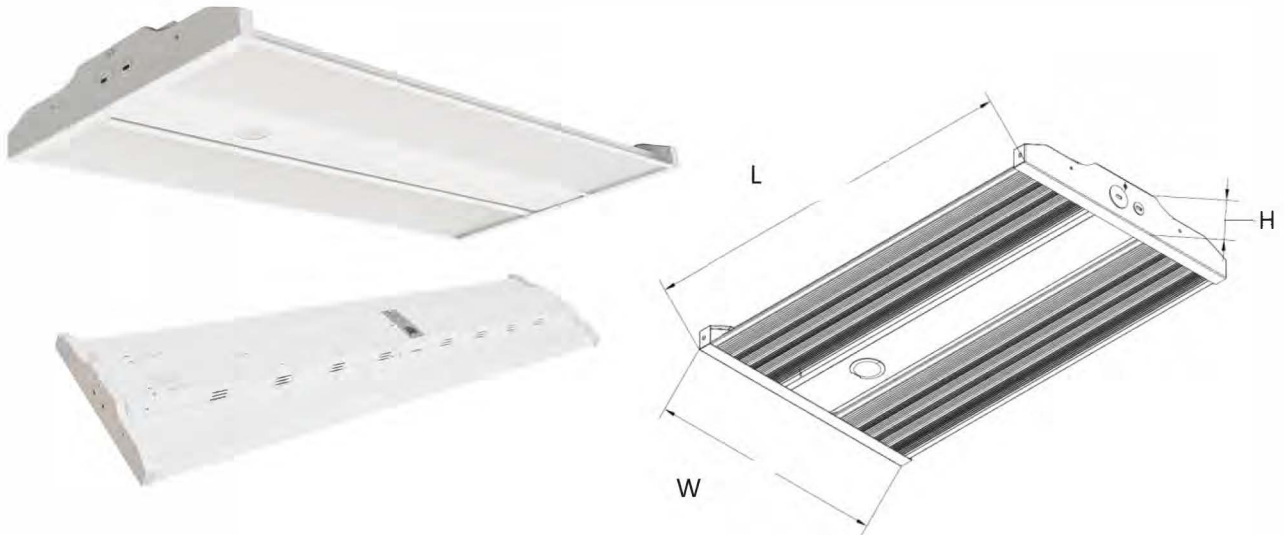
MRMPAL - Multi-Purpose Area Light	29
MRMPALPRO - Multi-Purpose Area Light PRO	30
MRWPA - Adjustable Wall Pack	31
MRWPFC - Full Cut-off Wall Pack	32
MRWPT - Traditional Wall Pack	33
MRWPE - Economy/Small Wall Pack	34
MRCP - Canopy Light	35
MRBOL - Round and Square Bollards	36
MRDDAL - Dusk-to-dawn Area Light	37
MRSDM - Stadium Light	38

MarketReady

INDOOR
PRODUCTS

MRHBLSR LINEAR HIGH BAY

STANDARD



FEATURES

- Field selectable 4000k (neutral white) and 5000k (cool white) color temperatures.
- Screw in sensor ready (sensor sold separately).
HD07VR-PH-1 - Passive infrared sensor*
HD07VR-MH-B-1 - Microwave step-dimming sensor*
- Emergency driver option available.
- Universal 120-277V AC voltage (50-60Hz) is standard. 347-480V achieved with step-down transformers is optional.
- 0-10vdc dimming drivers are standard.

WARRANTY & LISTINGS

- cULus listed for damp locations in ambient temperatures from -40°C to 50°C (-40°F to 122°F). HBLSR-181512L-4K5K = 55°C (131°F).
- DLC 5.1 premium listed for medium distribution.**
- 5-year warranty on all electronics and housing.

DIMENSIONS

MODEL	L	W	H
MRHBLSR-181512L-4K5K	16.5"	10.25"	1.8"
MRHBLSR-241815L-4K5K	23"	10.25"	1.8"
MRHBLSR-363024L-4K5K	31"	10.25"	1.8"
MRHBLSR-604836L-4K5K	44"	10.25"	1.8"

ORDERING INFORMATION

Example: MRHBLSR-181512L-4K5K-ND-EM25

Series	Nominal Lumen Output (Selectable)		Kelvin Selectable	Input Voltage ¹		Lens Distribution		Emergency Driver	
MRHBLSR	181512L	18,000/15,000/12,000 lumen	4K5K	UNC	347-480V	ND	Narrow	EM25	25W emergency driver (factory installed)
	241815L	24,000/18,000/15,000 lumen		Blank	120-277V	WD	Wide	Blank	No emergency driver
	363024L	36,000/30,000/24,000 lumen				Blank	Medium		
	604836L	60,000/48,000/36,000 lumen							

¹UNC option not compatible with EM25 emergency driver

* See Accessories Specification on page 26

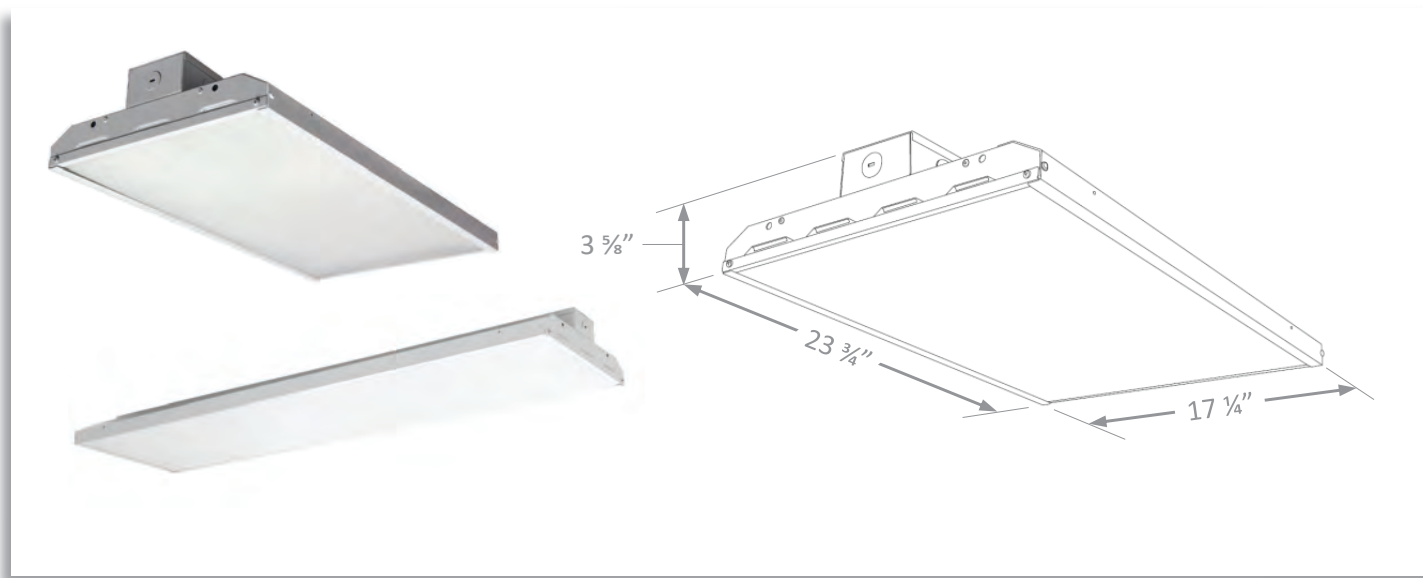
** DLC 5.1 standard listed for narrow and wide distributions.

STANDARD



MRLEDFHB FULL BODY LINEAR HIGH BAY

INDOOR



FEATURES

- Available 5000k (cool white) color temperatures.
- Long-life LEDs provide 122,000 hours of operation with at least 70% of initial lumen output (L70).
- Delivers from 12,193 lumens (140 lumens per watt, LPW) to 60,629 lumens (142 LPW).
- 0-10vdc dimming drivers are standard.

L70 hours are IES TM-21-11 calculated hours.

WARRANTY & LISTINGS

- cULus listed for damp locations in ambient temperatures from -20°C to 50°C (-4°F to 122°F).
- DLC approved
- 5-year warranty of all electronics and housing.

DIMENSIONS

MODEL	L	W	H
MRLEDFHB90-180	23.75"	12.625"	3.625"
MRLEDFHB215	23.75"	17.75"	3.625"
MRLEDFHB265-320	45.875"	12.625"	3.625"
MRLEDFHB425	45.875"	17.75"	3.625"

ORDERING INFORMATION

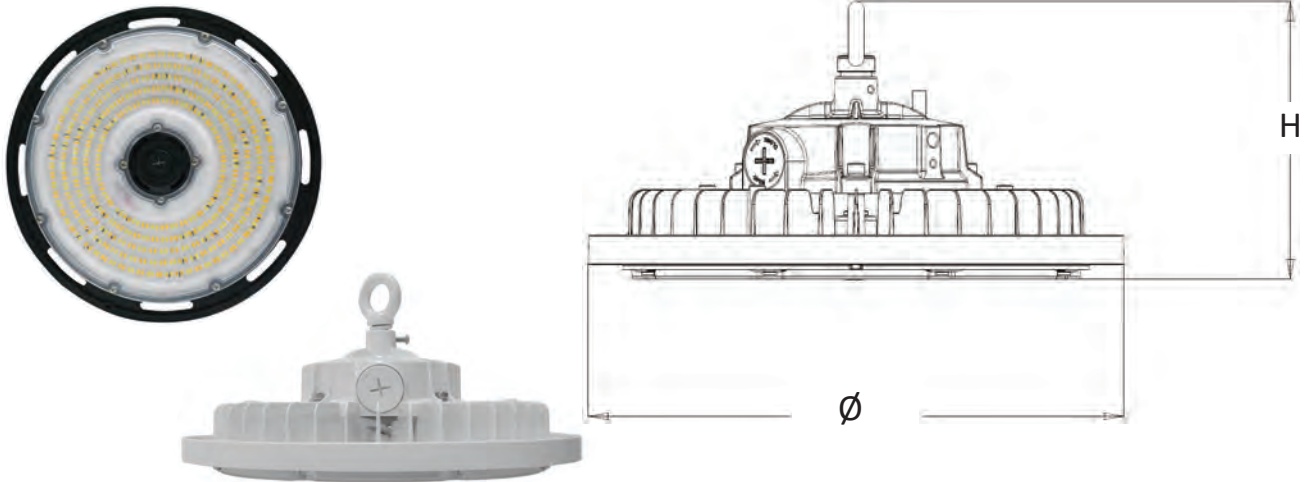
Example: MRLEDFHB180-5K-MVDIM-V2-OS-EM20

Model	Color Temperature		Voltage		Series	Occupancy Sensor*		Emergency Driver	
	5K	5000K	MVDIM	120-277V		OS	Passive infrared	EM12	1200 lumens
MRLEDFHB135			UNC	347-480V	V2	ODS	Microwave	EM16	1600 lumens
MRLEDFHB180						Blank	No occupancy sensor	EM20	2000 lumens
MRLEDFHB265								EM24	2400 lumens
MRLEDFHB215								EC12	1200 lumens
MRLEDFHB320								EC16	1600 lumens
MRLEDFHB425								EC20	2000 lumens
								EC24	2400 lumens
								Blank	No emergency driver

*See Accessories Specifications on page 26

MRHBR SR PREMIUM ROUND HIGH BAY

STANDARD



FEATURES

- Field selectable 4000k (neutral white) and 5000k (cool white) color temperatures.
- Screw in sensor ready. Sensor and remote control sold separately. Remote control required to change factory sensor settings.*
- Universal 120-277V AC voltage (50-60Hz) is standard. 347-480V achieved with step-down transformer (sold separately).*
- 0-10vdc dimming drivers are standard.

WARRANTY & LISTINGS

- cULus listed for wet locations in ambient temperatures from -40°C to 50°C (-40°F to 122°F).
- DLC 5.1 premium listed.
- 5-year warranty on all electronics and housing.

DIMENSIONS

MODEL	Ø	H	WEIGHT
MRHBR SR-221816L-4K5K	10.6"	5.5"	3.7 lbs
MRHBR SR-353024L-4K5K	13"	5.6"	6 lbs

ORDERING INFORMATION

Example: MRHBR SR-221816L-4K5K-WHT

Series	Lumen Output		Kelvin Selectable		Housing Color	
	MRHBR SR	221816L	22,000/18,000/16,000 Lumen	4K5K	4000K	BLK
	353024L	35,000/30,000/24,000 Lumen		5000K	WHT	White

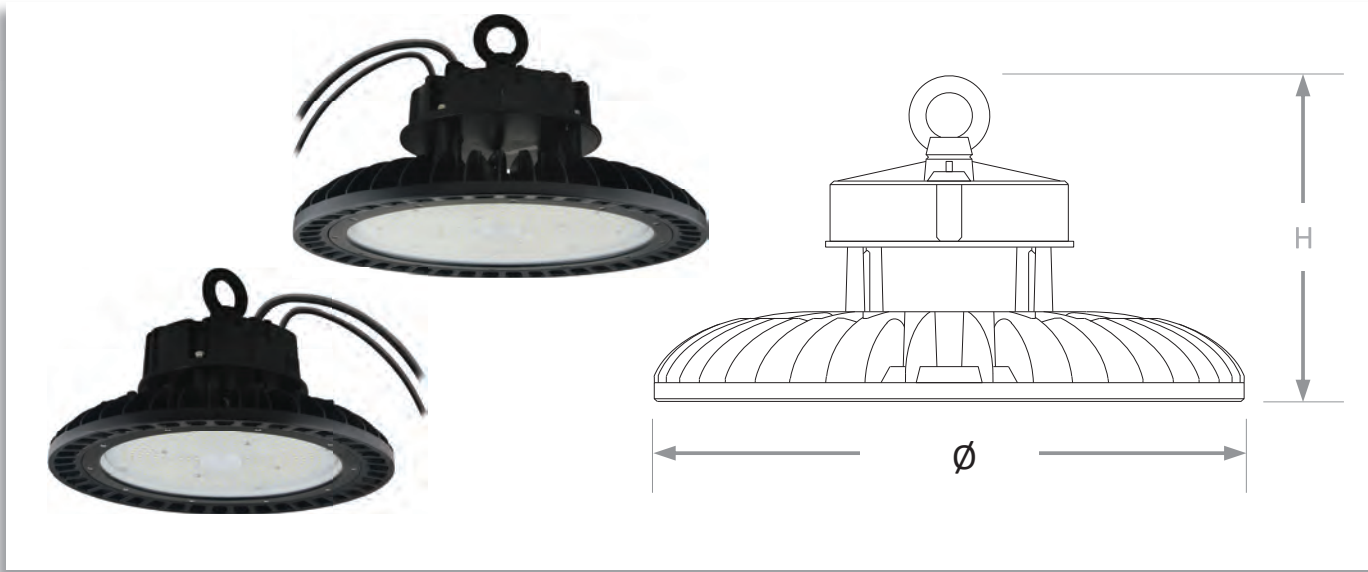
* See Accessories Specifications on page 26.

STANDARD



MRHBRE ECONOMY ROUND HIGH BAY

INDOOR



FEATURES

- Available in 4000k (neutral white) and 5000k (cool white) color temperatures.
- Long life LEDs provide 174,000 hours of operation with at least 70% of initial lumen output (L₇₀).
- Provides a range of 14,000 to 34,000 nominal lumens.
- Universal 120 277 AC voltage (50 60Hz) and 6 foot incoming AC power cords are standard.
- 0-10vdc dimming drivers are standard.

WARRANTY & LISTINGS

- cULus listed for wet locations in ambient temperatures from - 30°C to 50°C (-22°F to 122°F).
- DLC approved.
- 5-year warranty of all electronics and housing.

DIMENSIONS

MODEL	Ø	H	WEIGHT
14L & 21L	11.7"	7.3"	6.8 lbs
28L & 34L	14.2"	8.5"	11.2 lbs

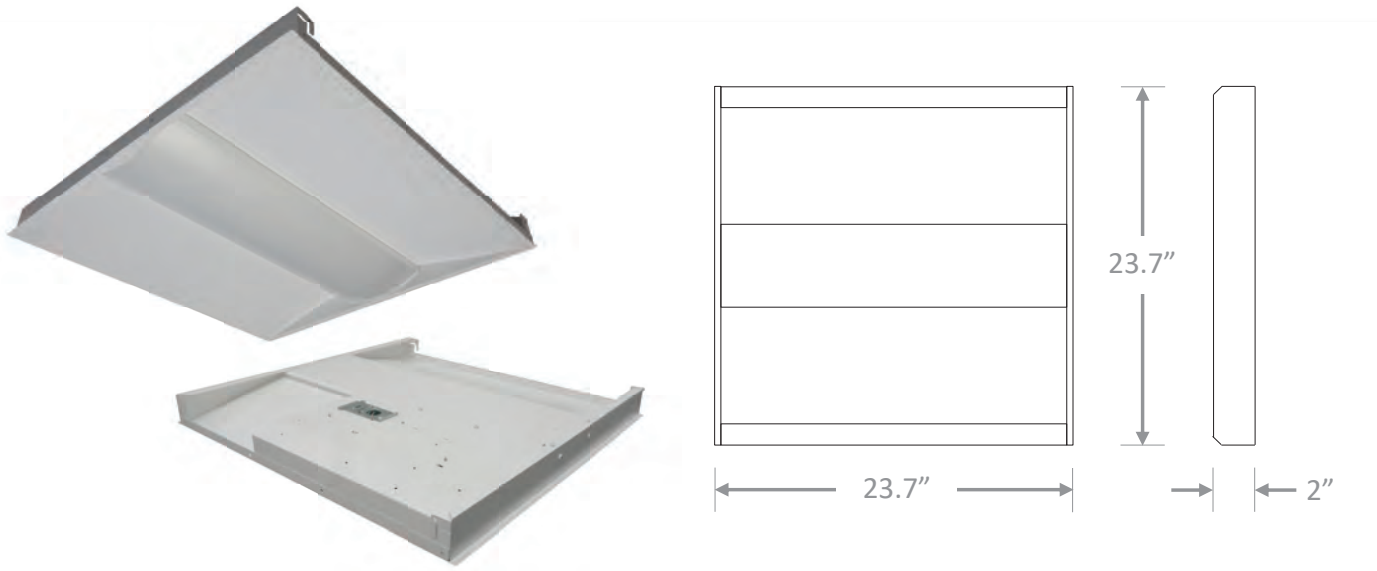
ORDERING INFORMATION

Example: MRHBRE-14L-5K

Series	Lumen Output		Color Temperature		Mounting Accessories (Order Separately)	
MRHBRE	14L	14,000 Lumen	4K	4000K	MRLEDHBRNSN-PSH-PRM-V2 MRHBRE-YOKE-S LEDHBRNSN-YOKE-PRM	Pendant snap hook
	21L	21,000 Lumen	5K	5000K		Yoke mount bracket (14L & 21L models)
	28L	28,000 Lumen				Yoke mount bracket (28L & 34L models)
	34L	34,000 Lumen				

MRCB22 CENTER BASKET 2X2 PANEL

STANDARD



FEATURES

- Field selectable 3500k (warm/neutral white), 4000k (neutral white) & 5000k (cool white) color temperatures.
- Uniform illumination with no visible LED pixilation.
- Universal 120-277 AC voltage (50-60Hz) is standard.
- 0-10vdc, continuous dimming capability is standard.

WARRANTY & LISTINGS

- cULus listed for damp locations and insulated ceilings in ambient temperatures from -25°C to 50°C (-13°F to 122°F).
- DLC approved
- 5-year warranty of all electronics and housing.

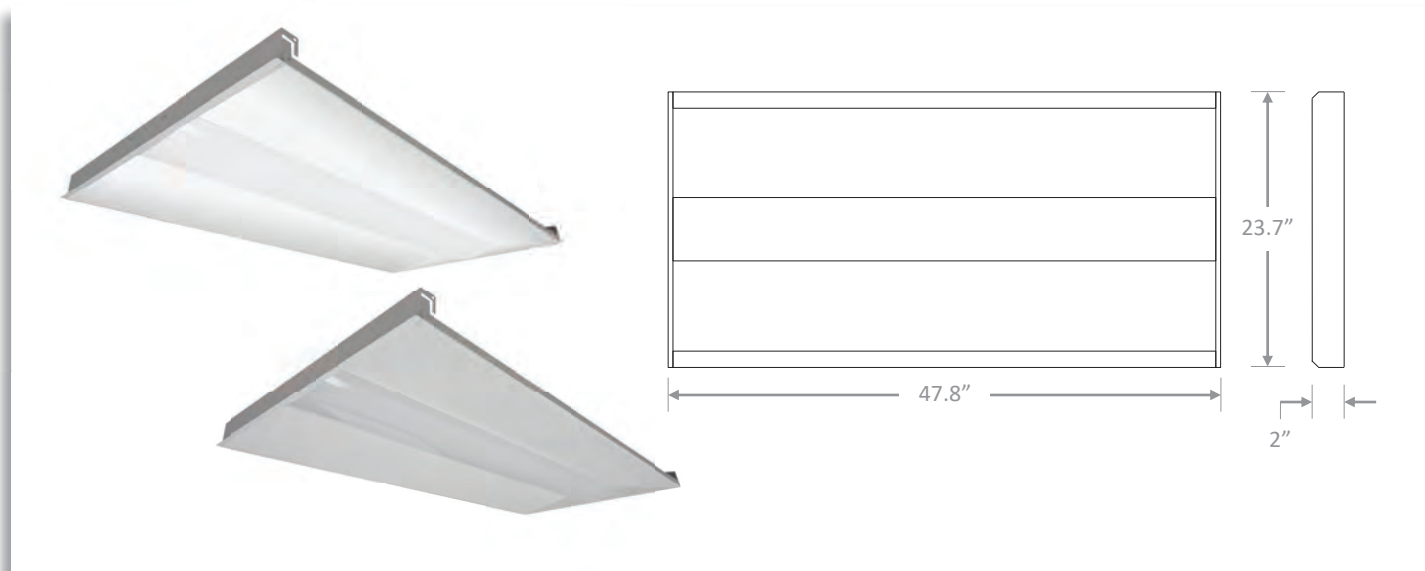
ORDERING INFORMATION

Example: MRCB22-4L-LKFS-EM13

Series	Selectable Nominal Lumen Output		Selectable CCT		Externally Installed Emergency Drivers		Accessories*	
	4L	4,200/3,700/3,100 lumens	LKFS*	3500K 4000K 5000K	EM5 EM10 EM13 Blank	755 lumens 1,617 lumens 1,940 lumens No emergency driver	DWS-010-T DWS-010-D IP710-DLZ	0-10v dimmer, toggle switch 0-10v dimmer, decora switch 0-10v dimmer, button switch
MRCB22								

* Field selectable.

* See Accessories Specification on page 26.



FEATURES

- Field selectable 3500k (warm/neutral white), 4000k (neutral white) & 5000k (cool white) color temperatures.
- Uniform illumination with no visible LED pixilation.
- Universal 120-277 AC voltage (50-60Hz) is standard.
- 0-10vdc, continuous dimming capability is standard.

WARRANTY & LISTINGS

- cULus listed for damp locations and insulated ceilings in ambient temperatures from -25°C to 50°C (-13°F to 122°F).
- DLC approved
- 5-year warranty of all electronics and housing.

ORDERING INFORMATION

Example: MRCB24-6L-LKFS-EM13

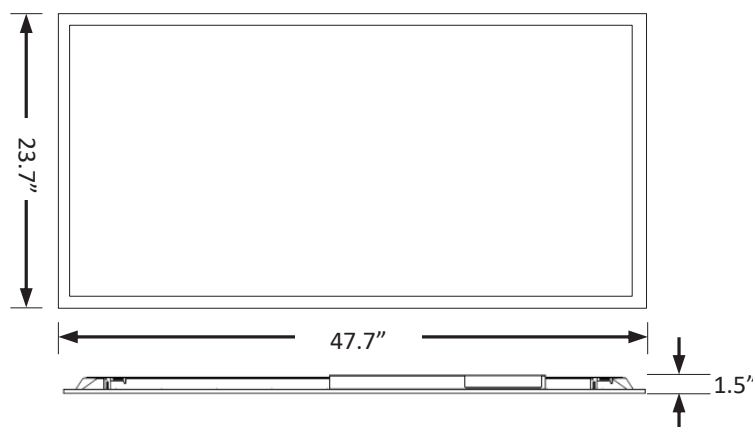
Series	Selectable Nominal Lumen Output		Selectable CCT		Externally Installed Emergency Drivers		Accessories*	
	6L	5,800/5,000/4,500 lumens	LKFS*	3500K 4000K 5000K	EM5 EM10 EM13 Blank	755 lumens 1,617 lumens 1,940 lumens No emergency driver	DWS-010-T DWS-010-D IP710-DLZ	0-10v dimmer, toggle switch 0-10v dimmer, decora switch 0-10v dimmer, button switch
MRCB24								

* Field selectable.

* See Accessories Specification on page 26.

MRPNL 2X4 FLAT PANEL

STANDARD



FEATURES

- Field selectable 3500k (warm/neutral white), 4000k (neutral white), & 5000k (cool white) color temperatures.
- Selectable lumen outputs range from 3,300 nominal lumens to 5,000 nominal lumens.
- Uniform illumination with no visible LED pixilation.
- Universal 120-277 AC voltage (50-60Hz) is standard.
- 0-10vdc dimming drivers are standard.

WARRANTY & LISTINGS

- cULus for damp locations and insulated ceilings (Type IC-rated). Suitable for ambient temperatures from -20°C to 40°C (-4°F to 104°F).
- DLC premium approved.
- 5-year warranty of all electronics and housing.

ORDERING INFORMATION

Example: : MRPNL2X4-50L-LKFS-PRM

Series	Maximum Lumens	Lumen Output/ Color Temperature			DLC		Emergency Drivers		Accessories Order Separately*	
		LKFS*	Selectable Lumens	Selectable CCT	PRM	PREMIUM	EM5	650 lumens	DWS-010-T	0-10v dimmer, toggle switch
MRPNL2X4	50L	LKFS*	3,300 lm	3500K			EM10	1,300 lumens	DWS-010-D	0-10v dimmer, decora switch
			4,500 lm	4000K			EM13	1,690 lumens	IP710-DLZ	0-10v dimmer, button switch
			5,000 lm	5000K			Blank	No emergency driver		

* Field selectable.

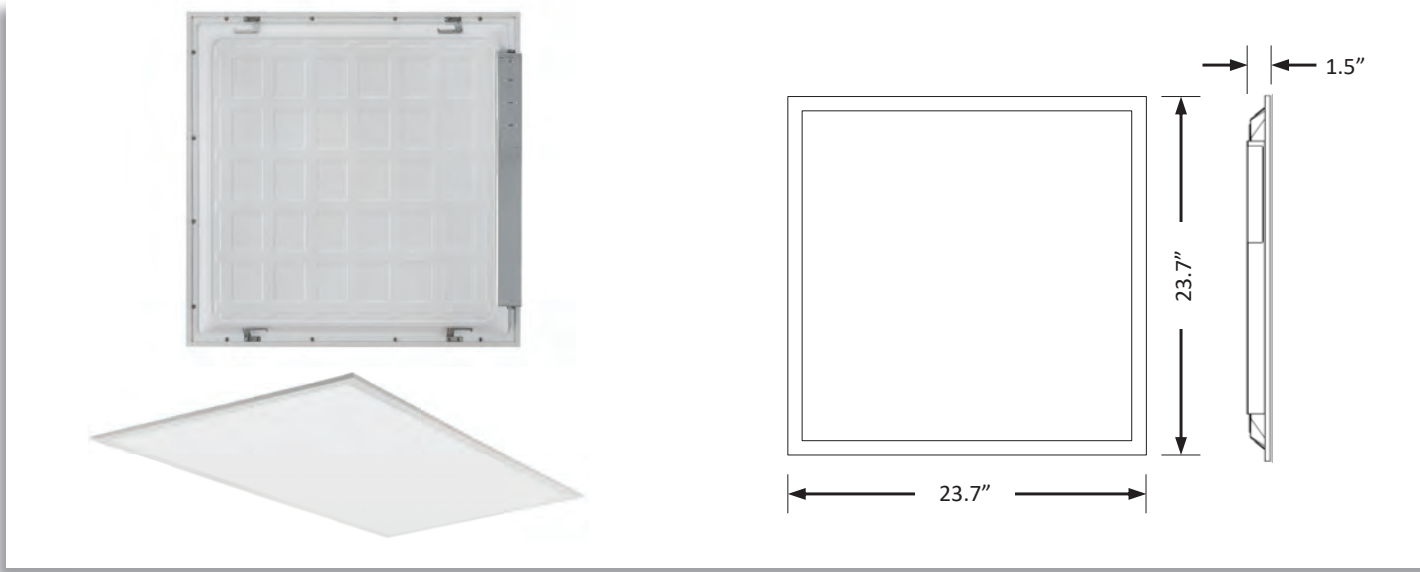
* See Accessories Specification on page 26.

STANDARD



MRPNL 2X2 FLAT PANEL

INDOOR



FEATURES

- Field selectable 3500k (warm/neutral white), 4000k (neutral white), & 5000k (cool white) color temperatures.
- Selectable lumen outputs range from 2,700 nominal lumens to 4,000 nominal lumens.
- Uniform illumination with no visible LED pixilation.
- Universal 120-277 AC voltage (50-60Hz) is standard.
- 0-10vdc dimming drivers are standard.

WARRANTY & LISTINGS

- cULus for damp locations and insulated ceilings (Type IC-rated). Suitable for ambient temperatures from -20°C to 40°C (-4°F to 104°F).
- DLC premium approved.
- 5-year warranty of all electronics and housing.

ORDERING INFORMATION

Example: : MRPNL2X2-40L-LKFS-PRM

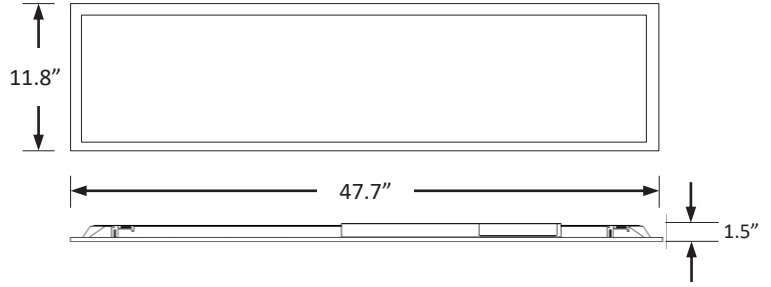
Series	Maximum Lumens	Lumen Output/ Color Temperature		DLC		Emergency Drivers		Accessories Order Separately*		
		Selectable Lumens	Selectable CCT	PRM	PREMIUM	EM5	650 lumens	DWS-010-T	0-10v dimmer, toggle switch	
MRPNL2X2	40L	LKFS*	2,700 lm	3500K			EM10	1,300 lumens	DWS-010-D	0-10v dimmer, decora switch
			3,600 lm	4000K			EM13	1,690 lumens	IP710-DLZ	0-10v dimmer, button switch
			4,000 lm	5000K			Blank	No emergency driver		

* Field selectable.

* See Accessories Specification on page 26.

MRPNL 1X4 FLAT PANEL

STANDARD



FEATURES

- Field selectable 3500k (warm/neutral white), 4000k (neutral white), & 5000k (cool white) color temperatures.
- Selectable lumen outputs range from 2,600 nominal lumens to 4,000 nominal lumens.
- Uniform illumination with no visible LED pixilation.
- Universal 120-277 AC voltage (50-60Hz) is standard.
- 0-10vdc dimming drivers are standard.

WARRANTY & LISTINGS

- cULus for damp locations and insulated ceilings (Type IC-rated). Suitable for ambient temperatures from -20°C to 40°C (-4°F to 104°F).
- DLC approved.
- 5-year warranty of all electronics and housing.

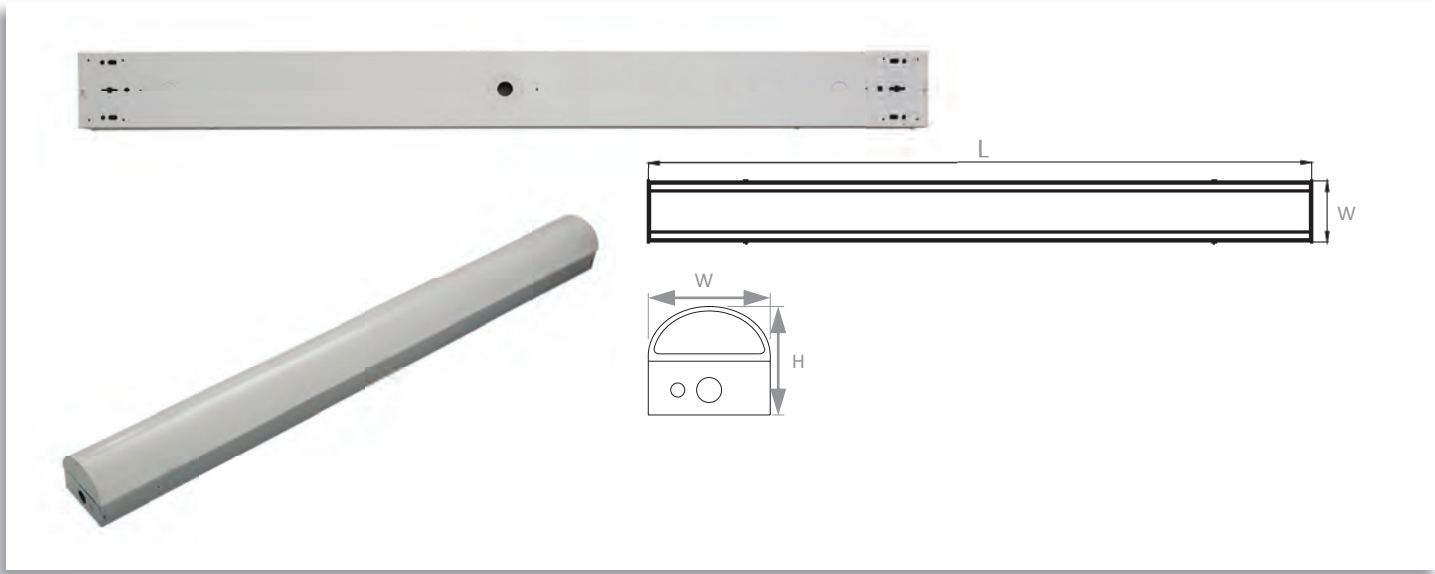
ORDERING INFORMATION

Example: MRPNL1X4-40L-LKFS-EM5

Series	Maximum Lumens	Lumen Output/ Color Temperature		Emergency Drivers		Accessories Order Separately*		
MRPNL1X4	40L	LKFS*	Selectable Lumens	Selectable CCT	EM5	650 lumens	DWS-010-T	0-10v dimmer, toggle switch
			2,600 lm	3500K	EM10	1,300 lumens	DWS-010-D	0-10v dimmer, decora switch
			3,400 lm	4000K	EM13	1,690 lumens	IP710-DLZ	0-10v dimmer, button switch
			4,000 lm	5000K	Blank	No emergency driver		

* Field selectable.

* See Accessories Specification on page 26.



FEATURES

- Field selectable 3500k (warm/neutral white), 4000k (neutral white), and 5000k (cool white) color temperatures.
- Selectable lumen outputs range from 4200 nominal lumens to 6000 nominal lumens.
- Universal 120-277 AC voltage (50-60Hz) is standard.
- 0-10vdc dimming drivers are standard.

WARRANTY & LISTINGS

- cULus listed for damp locations ambient temperatures from -20°C to 50°C (-4°F to 122°F).
- DLC 5.1 premium approved.
- 5-year warranty of all electronics and housing.

Model	L	W	H	Weight
MRSW-LKFS	48"	4.5"	4"	8 lbs.

ORDERING INFORMATION

Example: MRSW-LKFS-ODS-EM5

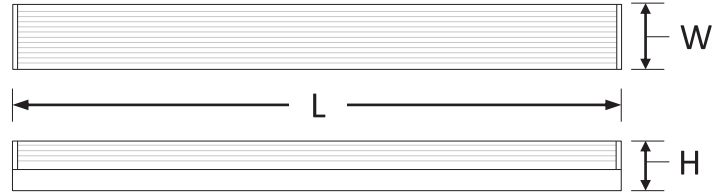
Series	Lumen Output/ Color Temperature			Occupancy Sensor + Dimming*		Optional Emergency Drive		Accessories Order Separately*	
MRSW	LKFS*	Selectable Lumens	Selectable CCT	Blank	No Sensor	EM5	600 lumens	HD03R	Sensor remote control
		4,200 lm 4,800 lm 6,000 lm	3500K 4000K 5000K	ODS	Occupancy Dimming Sensor	EM10 EM13 Blank	1200 lumens 1560 lumens No emergency driver		

* Field selectable.

* See Accessories Specification on page 26.

MRSL STRIP LIGHT

STANDARD



FEATURES

- Field selectable 3500k (warm/neutral white), 4000k (neutral white), and 5000k (cool white) color temperatures.
- Selectable lumen outputs for 4-ft fixture range from 3,600 nominal lumens to 5,200 nominal lumens, and for the 8-ft fixture from 7,100 lumens to 10,000 lumens.
- Universal 120-277 AC voltage (50-60Hz) is standard.
- 0-10vdc dimming drivers are standard.

WARRANTY & LISTINGS

- cULus approved for damp locations in ambient temperatures from -20°C to 50°C (-4°F to 122°F).
- DLC approved
- 5-year warranty of all electronics and housing.

	MRSL-4FT-LKFS	MRSL-8FT-LKFS
L	47.3"	94.3"
W	3.3"	3.3"
H	3.5"	3.5"
Weight (lbs)	4.5 lbs	9 lbs

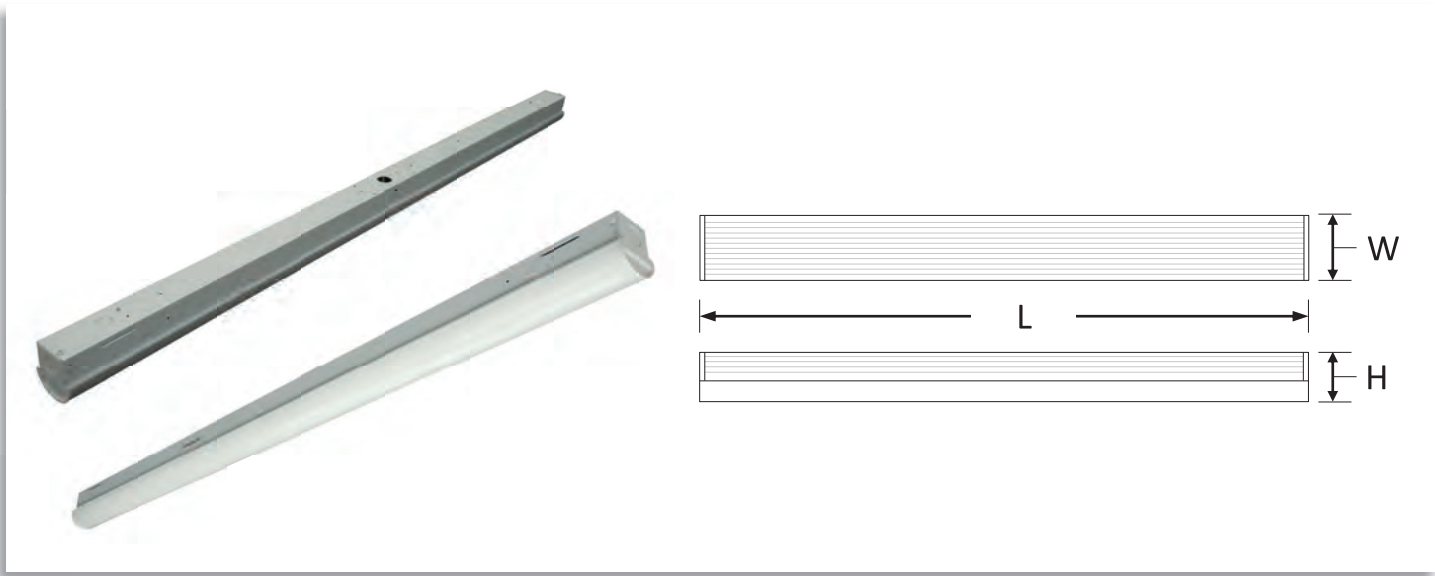
ORDERING INFORMATION

Example: MRSL-4FT-5L-LKFS-ODS-EM10

Series	Length	Nominal Lumen Output Selectable		Selectable CCT		Occupancy Sensor*		Internally Installed Emergency Drivers	
		5L	10L	LKFS*	3500K/4000K/5000K	OS	Passive infrared	EM5	650 lumens
MRSL	4FT	5L	5200/4300/3600	LKFS*	3500K/4000K/5000K	OS	Passive infrared	EM5	650 lumens
	8FT	10L	10,000/85,000/7100			ODS	Microwave	EM10	1,390 lumens
						Blank	No Occupancy sensor	EM13	1,780 lumens
								Blank	No emergency driver

* Field selectable.

* See Accessories Specification on page 26.



FEATURES

- Field selectable 3500k (warm/neutral white), 4000k (neutral white), and 5000k (cool white) color temperatures.
- SLS-4ft-5L-LKFS provides a range from 3,500 to 5,000 nominal lumens.
- SLS-8FT-10L-LKFS provides a range of 7,000 to 10,000 nominal lumens.
- Universal 120-277 AC voltage (50-60Hz) is standard.
- 0-10vdc dimming drivers are standard.

WARRANTY & LISTINGS

- cULus approved for damp locations in ambient temperatures from -20°C to 50°C (-4°F to 122°F).
- DLC approved.
- 5-year warranty of all electronics and housing.

	SLS-4FT-LKFS	SLS-8FT-LKFS
L	47.3"	94.2"
W	2.4"	2.4"
H	2.8"	2.8"
Weight (lbs)	3.7 lbs	7.5 lbs

ORDERING INFORMATION

Example: : MRSLS-4FT-5L-LKFS-OS-EM10

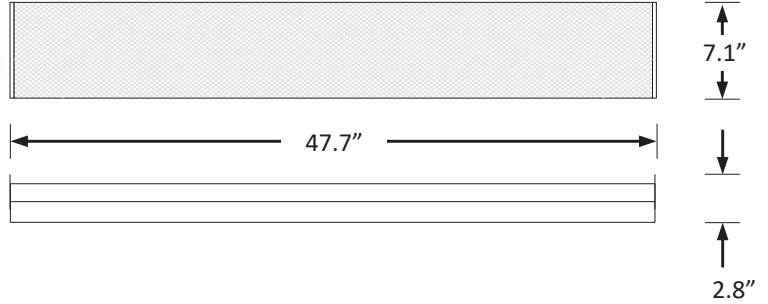
Series	Length	Nominal Lumen Output Selectable		Selectable CCT		Occupancy Sensor*		Internally Installed Emergency Drivers	
		5L	10L	LKFS*	3500K/4000K/5000K	OS	Passive infrared	EM10	1,390 lumens
MRSLS	4FT	5L	5,000/4300/3600 nominal lumens	LKFS*	3500K/4000K/5000K	OS	Passive infrared	EM10	1,390 lumens
	8FT	10L	10,000/8800/7500 nominal lumens			Blank	No Occupancy sensor	EM13	1,780 lumens
								Blank	No emergency driver

* Field selectable.

* See Accessories Specification on page 26.

MRWR PREMIUM WRAP

STANDARD



FEATURES

- Field selectable 3500k (warm/neutral white), 4000k (neutral white), and 5000k (cool white) color temperatures.
- WR-5L-LKFS provides a range of 4,100 to 5,800 nominal lumens and 132 to 154 lumens per watt (LPW).
- Universal 120-277 AC voltage (50-60Hz) is standard.
- 0-10vdc dimming drivers are standard

WARRANTY & LISTINGS

- cULus approved for damp locations in ambient temperatures from -20°C to 60°C (-4°F to 140°F).
- DLC approved.
- 5-year warranty of all electronics and housing.

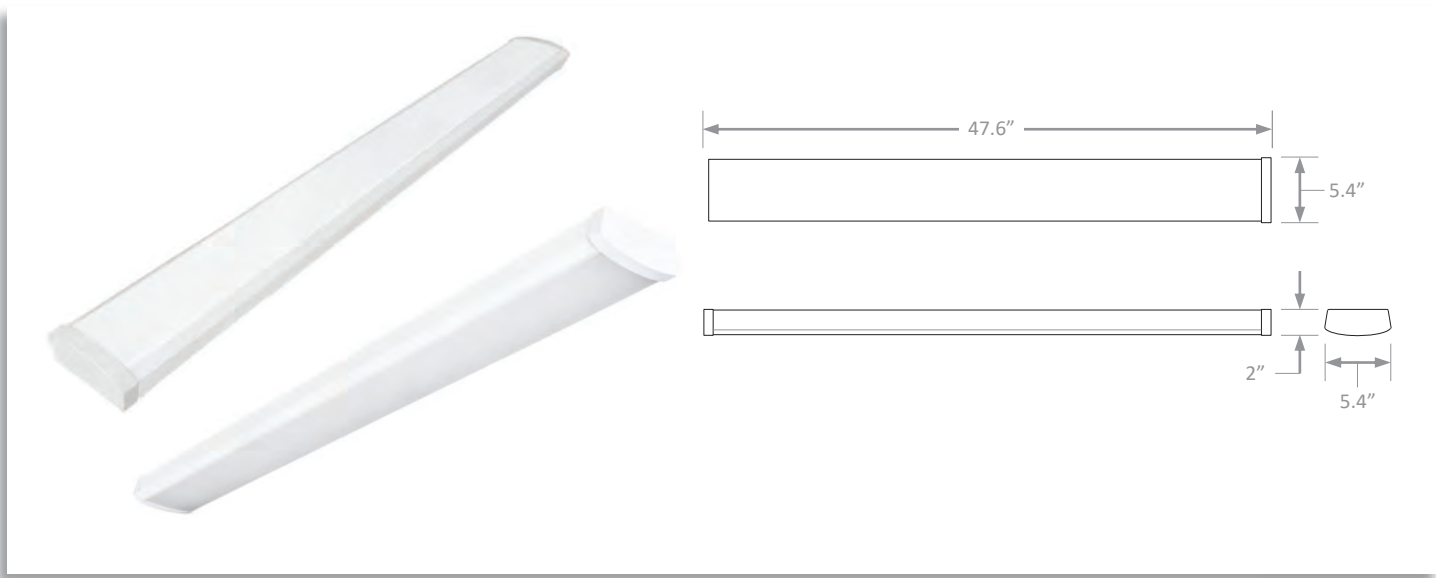
ORDERING INFORMATION

Example: MRWR-5L-LKFS-ODS-EM10

Series	Selectable Output Nominal Lumen		Selectable CCT		Occupancy Sensor*		Internally Installed Emergency Drivers	
MRWR	5L	5,800/5000/3400 nominal lumens	LKFS*	3500K/4000K/5000K	OS	Passive infrared	EM10	1,320 lumens
					ODS	Microwave	EM13	1,720 lumens
					Blank	No occupancy sensor	Blank	No emergency driver

* Field selectable.

* See Accessories Specification on page 26.



FEATURES

- Field selectable 3500k (warm/neutral white), 4000k (neutral white), and 5000k (cool white) color temperatures.
- Selectable lumen outputs range from 4,000, 5,000 to 6,000 nominal lumens.
- Universal 120-277 AC voltage (50-60Hz) is standard.
- 0-10vdc dimming is standard

WARRANTY & LISTINGS

- cULus listed for damp locations in ambient temperatures from -25°C to 50°C (-13°F to 122°F).
- DLC approved.
- 5-year warranty of all electronics and housing.

ORDERING INFORMATION

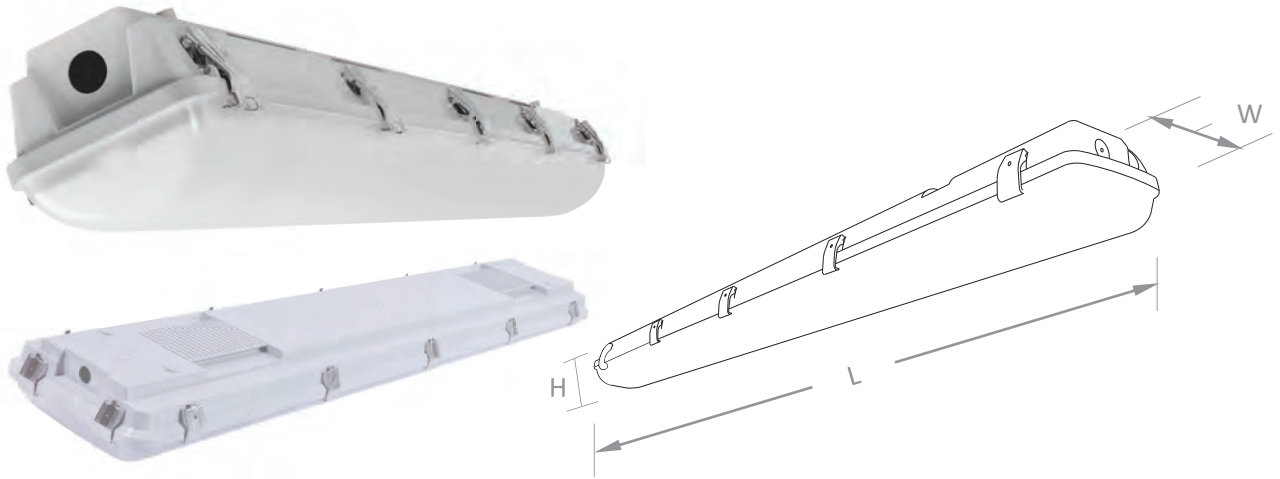
Example: : MRWRE-6L-LKFS

Series	Nominal Lumen Output		Selectable CCT	
MRWRE	6L	6,000/5,000/4,000 nominal lumens	LKFS*	3500K/4000K/5000K

* Field selectable.

MRVT VAPOR-TIGHT

STANDARD



FEATURES

- Field selectable color temperatures include 3500k, 4000k and 5000k.
- Provides 6,000, 14,000, or 20,000 nominal lumens using 42, 100, or 150 nominal watts.
- Universal 120-277 AC voltage (50-60Hz) is standard.
- 0-10vdc dimming drivers are standard.

WARRANTY & LISTINGS

- cETLus listed for damp locations in ambient temperatures from -20°C to 50°C (-4°F to 122°F).
- VT-14L & VT-20L = DLC premium.
- 5-year warranty of all electronics and housing.

Model	L	W	H	Weight
MRVT-6L-KFS	45.7"	4.7"	4.3"	4 lbs
MRVT-14L-KFS	50"	10"	4.1"	13 lbs
MRVT-20L-KFS	50"	10"	4.1"	14 lbs

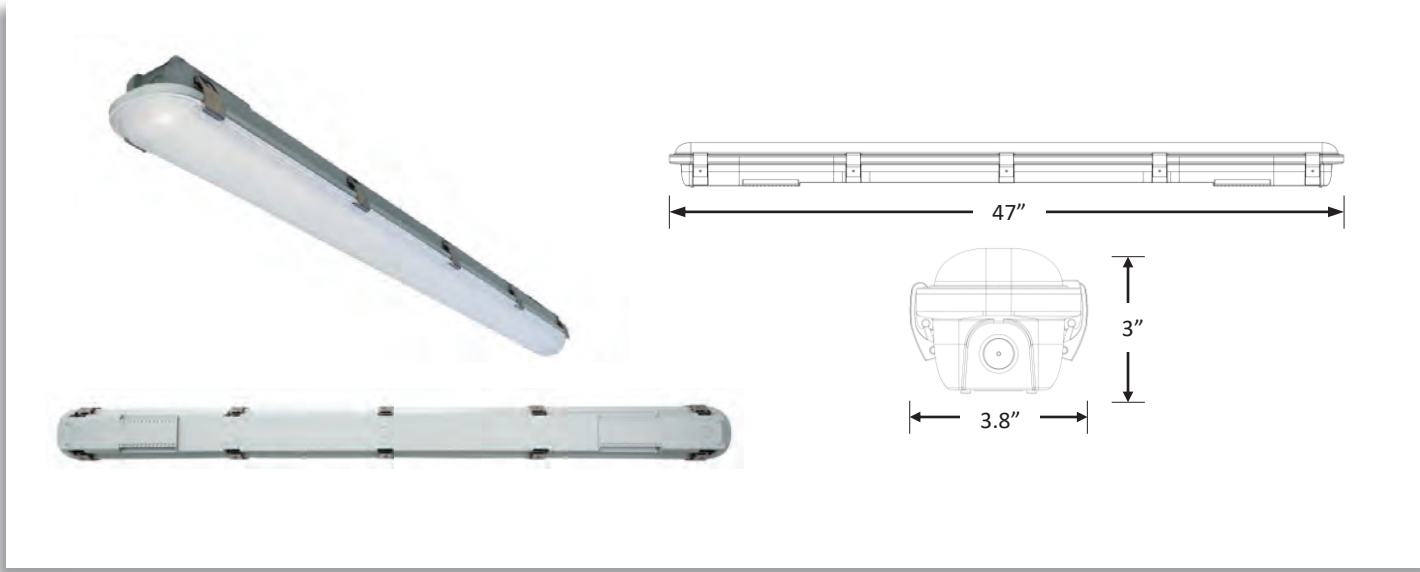
ORDERING INFORMATION

Example: MRVT-6L-KFS-ODS

Series	Nominal Lumen Output		Selectable CCT		Occupancy Sensor*	
	MRVT	6L	6000 lumens	KFS*	3500K	ODS
	14L	14,000 lumens		4000K	Blank	No occupancy sensor
	20L	20,000 lumens		5000K		

* Field selectable.

* See Accessories Specification on page 26.



FEATURES

- Field selectable 3500k (warm/neutral white), 4000k (neutral white), and 5000k (cool white) color temperatures.
- Selectable lumen outputs range from 5,000, 6,000 to 7,000 nominal lumens and uses 40, 45, to 50 nominal watts.
- Universal 120-277 AC voltage (50-60Hz) is standard.
- 0-10vdc dimming is standard

WARRANTY & LISTINGS

- cULus listed for wet locations.
- DLC approved.
- 5-year warranty of all electronics and housing.

ORDERING INFORMATION

Example: MRVTS-7L-LKFS-ODS-EM13

Series	Selectable Nominal Lumen Output		Selectable CCT		Occupancy Sensor*		Internally Installed Emergency Drivers	
MRVTS	7L	7,600/6,000/5,200 nominal lumens	LKFS*	3500K/4000K/5000K	ODS Blank	Microwave sensor No occupancy sensor	EM10 EM13 Blank	1441 lumens 1768 lumens No emergency driver

* Field selectable.

* See Accessories Specification on page 26.

MRDR - DOUBLE RING SURFACE MOUNT LIGHT

STANDARD



FEATURES

- Field selectable 2700k (soft white), 3000k (warm white), 3500k (warm/neutral white), 4000k (neutral white), and 5000k (cool white) color temperatures.
- DR10 provides 1,000 nominal lumens from 15 nominal watts.
- DR14 provides 1,800 nominal lumens from 20 nominal watts.
- DR18 provides 2,000 nominal lumens from 20 nominal watts.
- 120 AC voltage (60Hz) is standard.

WARRANTY & LISTINGS

- cETLus listed for damp locations in ambient temperatures of -15°C to 40°C (5°F to 104°F).
- Energy Star qualified.
- 5-year warranty of all electronics and housing.

DIMENSIONS

Model	Ø	H	Weight
DR10	10"	3"	1.4 lbs
DR14	14"	4"	2.2 lbs
DR18	18"	4.5"	3.3 lbs

ORDERING INFORMATION

Example: MRDR14-18L-KFS

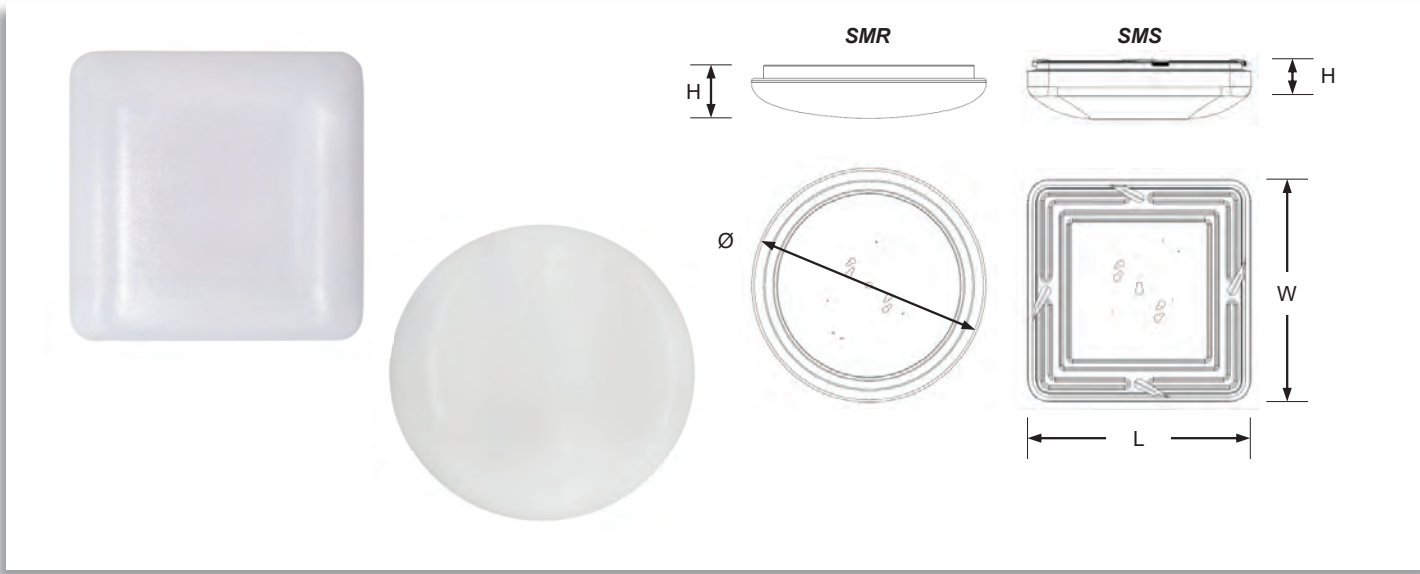
Series	Nominal Lumen Output		Color Temperature	
	MRDR10	10L	1,000 lm	KFS*
MRDR14	18L	1,800 lm		
MRDR18	20L	2,000 lm		

*Field-selectable



SURFACE MOUNT PLASTIC PUFF

INDOOR



FEATURES

- Field selectable 2700k (soft white), 3000k (warm white), 3500k (warm/neutral white), 4000k (neutral white), and 5000k (cool white) color temperatures.
- SMx-KFS provides a range of 1,000 (12") to 1,500 (14") nominal lumens and 73 lumens per watt.
- 11"/12" models = 14 nominal watts. 14" models = 20 nominal watts.
- 120 AC voltage (60Hz) is standard.

WARRANTY & LISTINGS

- cETLus listed for damp locations
- Energy Star certified.
- 5-year warranty of all electronics and housing.

DIMENSIONS

Model	L	W	H	Ø	Weight
MRSMR11	/	/	3"	11"	1 lbs.
MRSMR14	/	/	3"	14"	2 lbs.
MRSMS12	12"	12"	3"	/	2 lbs.
MRSMS14	14"	14"	3"	/	2.5 lbs.

ORDERING INFORMATION

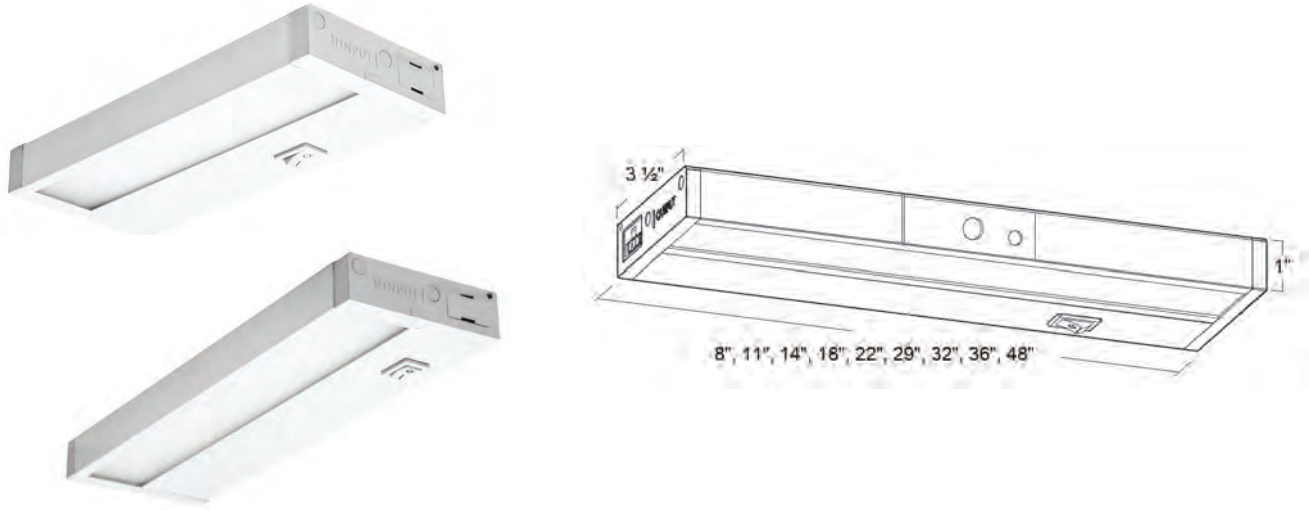
Example: MRSMR11-KFS

Series	Selectable CCT	
MRSMR11	KFS*	3500K/4000K/5000K
MRSMR14		
MRSMS12		
MRSMS14		

*Field-selectable

MRLEDUC UNDER CABINET LIGHT

STANDARD



FEATURES

- Built-in integral electronic driver
- Dimmable 120V
- On / Off rocker switch
- 80 or 90 CRI
- Color temperature 2700 kelvin
- Linkable end-to-end or daisy chain, 4 wire length available

ORDERING INFORMATION

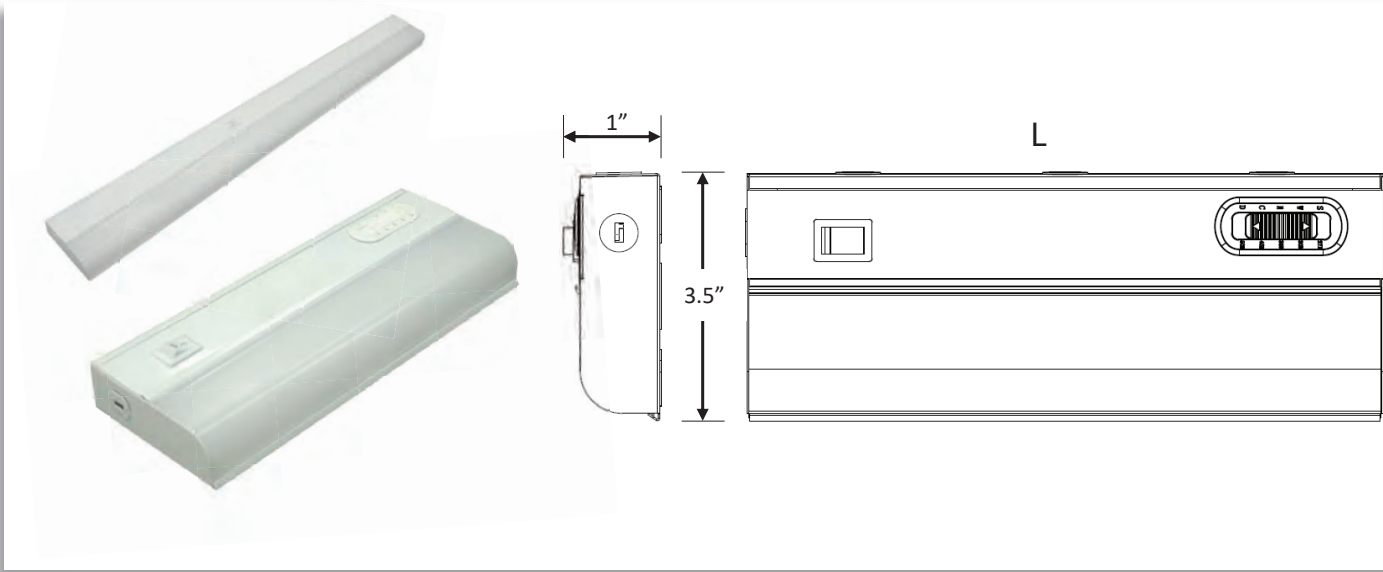
Example: MRLEDUC14

MODEL	DESCRIPTION	INPUT VOLTAGE	CRI	WATTS	LUMENS
MRLEDUC8	Undercabinet Light - 8" x 3 ¹ / ₂ "	120V	≥ 90	4W	250
MRLEDUC11	Undercabinet Light - 11" x 3 ¹ / ₂ "	120V	≥ 90	6W	360
MRLEDUC14	Undercabinet Light - 14" x 3 ¹ / ₂ "	120V	≥ 90	9W	510
MRLEDUC18	Undercabinet Light - 18" x 3 ¹ / ₂ "	120V	≥ 90	11W	620
MRLEDUC22	Undercabinet Light - 22" x 3 ¹ / ₂ "	120V	≥ 90	11W	680
MRLEDUC29	Undercabinet Light - 29" x 3 ¹ / ₂ "	120V	≥ 90	13W	780
MRLEDUC32	Undercabinet Light - 32" x 3 ¹ / ₂ "	120V	≥ 90	15W	950
MRLEDUC36	Undercabinet Light - 36" x 3 ¹ / ₂ "	120V	≥ 90	16W	1060
MRLEDUC48	Undercabinet Light - 48" x 3 ¹ / ₂ "	120V	≥ 90	18W	1180



ECONOMY UNDER CABINET LIGHT

INDOOR



FEATURES

- Field selectable 2700k (soft white), 3000k (warm white), 3500k (warm/neutral white), 4000k (neutral white), and 5000k (cool white) color temperatures.
- Available models provide from 334 to 1,543 nominal lumens.
- 120 AC voltage (60Hz) is standard.

WARRANTY & LISTINGS

- cULus listed for damp locations
- Energy Star certified.
- 5-year warranty of all electronics and housing.





Model	UCE-9	UCE-12	UCE-18	UCE-21	UCE-24	UCE-33	UCE-42
Length	9"	12"	18"	21"	24"	33"	42"
Weight (lbs)	0.80	1	1.30	1.60	1.70	2.40	3





ORDERING INFORMATION

Example: MRUCE-24-KFS

Series	Length (in)	Color Temperature	
MRUCE	9	KFS*	2700K
	12		3000K
	18		3500K
	21		4000K
	24		5000K
	33		
	42		

INDOOR PRODUCT ACCESSORIES

	RF Control (PPA401S) <ul style="list-style-type: none"> • Multi-volt: 120-277V • 0-10V Dimming • Operating Temperature of 0° - 40°C • Rated up to 1200W • Remote Required
	Bluetooth Control (PPA102S) <ul style="list-style-type: none"> • Multi-volt: 120-277V • 0-10V Dimming • Rated up to 3.1A • Bluetooth Mesh • Controlled by App
	Dimmers (DWS-010V-T, DWS-010V-D) <ul style="list-style-type: none"> • Multi-volt: 120-277V • 0-10V Dimming • Rated up to 600W • Compatible with LED/CFL/Incandescent Lamps and Luminaires • Single pole and 3 Way applications
	External PIR (YM2501A) <ul style="list-style-type: none"> • Multi-volt: 120-277V • Rated up to 800W • Single Pole • Operating Temperature of 0°C to 55°C • Mounts up to 30ft

	Step Down Transformer (KTAT-xxx-480-277/A): <ul style="list-style-type: none"> • Dual Voltage: 347V or 480V • Output Voltage = 277V • Thermally Protected
	External Screw in PIR (HD07VR-PH-1) <ul style="list-style-type: none"> • 12VDC Input Power • Screw in RCA Jack compatible with most standard receptacles • Operating temperature of -20°C to 60°C • Mounts up to 39ft • Requires remote to adjust factory settings (HD05R)
	External Screw in Microwave (HD07VR-MH-B-1) <ul style="list-style-type: none"> • 12VDC Input Power • Screw in RCA Jack compatible with most standard receptacles • Operating temperature of -20°C to 60°C • Mounts up to 49ft • Requires remote to adjust factory settings (HD05R)
	External Microwave Sensor (HD406VRH-D) <ul style="list-style-type: none"> • Multi-volt: 120-277V • Rated up to 3A @120V • Operating Temperature of -35°C to 60°C • Mounts up to 49ft • Requires remote to adjust factory settings (HD03R)

Luminaire series	JL-404C External PHOTOCCELL	YM2501A External PIR Occ Sensor	HD407V-CR Internal Microwave Occ Sensor	DWS-010V-(T)(D) 0-10V Dimming Wall Switch	PPA401S External RF Controller	PPA102S Internal/External BlueTooth Controller	OBD-010V Internal On Board Dimmer	SP10 Internal SURGE PROTECTOR	KTAT-xxx-480-277/A Enclosed 480/347V to 277V Step Down Trans	HBSD-325W-480-277 External/Remote 480/347 to 277V Step Down Trans	HD406VRH-D External MWAVE Occ Sensor	HD07VR-PH-1 External PIR Sensor W/RCA	HD07VR-MH-B-1 External Microwave Sensor W/RCA
MRHBR	3	0	0	3	3	0	0	0	0	2	0	0	0
MRHBR SR	3	0	0	3	3	0	0	0	0	2	0	2	2
MRLED FHB-V2	1, 2, 3	1, 2	0	3	3	1, 2, 3	2	1, 2	1	2	1, 2	0	0
MRHBL SR	1, 2, 3	1, 2	0	3	3	1, 2, 3	2	1, 2	1	2	1, 2	2	2
MRPNL-LKFS	0	0	0	3	3	0	0	0	0	0	0	0	0
MRCB-LKFS	0	0	0	3	3	0	2	1, 2	0	0	0	0	0
MRS L-LKFS	1, 2, 3	1, 2	1, 2	3	3	1, 2, 3	2	1, 2	0	0	1, 2	0	0
MRSL-LKFS	1, 2, 3	1, 2	0	3	3	1, 2, 3	2	1, 2	0	0	1, 2	0	0
MRSW-LKFS	2, 3	1, 2	0	3	3	1, 2, 3	2	1, 2	0	0	0	0	0
MRVT-LKFS	2, 3	0	0	3	3	0	0	0	0	0	0	0	0
MRVTs-7L-LKFS	1, 2, 3	0	0	3	3	3	2	1, 2	0	0	0	0	0
MRWR-LKFS	1, 2, 3	1, 2	0	3	3	1, 2, 3	2	1, 2	0	0	1, 2	0	0

MarketReady

OUTDOOR
PRODUCTS

OUTDOOR PRODUCT ACCESSORIES

	Internal Microwave Sensor (HD407V-CR) <ul style="list-style-type: none"> • Multi-volt: 120-277V • Rated up to 3A @120V • Operating Temperature of -20°C to 60°C • Mounts up to 19ft • Settings adjustable by Dip Switch or remote (HD03R) 		On-Board Dimmer (OBD-010V) <ul style="list-style-type: none"> • Compatible with 0-10V dimming systems • Must be installed within enclosed wiring compartment of luminaire. • Indoor use only.
	3 Pin NEMA Photocell (JL-205C23-IP65) <ul style="list-style-type: none"> • Multi-volt: 120-277V • Turns on at 6 lux, turns off at 50 lux • Operating Temperature of -40°C to 70°C • Rated up to 1800W • Preset 5-30 second time delay 		Surge Protector (SP10) <ul style="list-style-type: none"> • Multi-volt: 120-277V • 10kV Surge Protection
	480V NEMA Photocell (26WA86) <ul style="list-style-type: none"> • Input Voltage of 480V • Turns on at 10-20 lux, Turns off at 30-60 lux • Operating Temperature of -40°C to 70°C • Rated up to 1800W 		Step-Down Transformer (HBSD-325W-480-277) <ul style="list-style-type: none"> • Tri-Voltage – 480V/347V/277V • Output Voltage – 208V @ 480V, 150V @ 347V, 120V @ 277V • Field Installed
	Photocells (JL-403C, JL-404C) <ul style="list-style-type: none"> • Multi-volt: 120-277V • Turns on at 10-20 lux, turns off at 30-80 lux • Operating Temperatures of -40°C – 70°C • Rated for up to 5A • Preset 3-10 second time delay 		

OUTDOOR

Luminaire series	JL-403C Internal PHOTOCELL	JL-404C External PHOTOCELL	JL-205C23-IP65 External 3-Pin Nema Photocell	26WA86 External 3-Pin Nema Photocell, 480V	OBD-010V Internal On Board Dimmer	SP10 Internal SURGE PROTECTOR
MRMPAL	0	3	2	2	2	1, 2
MRMPALPRO-LKFS	0	3	2	2	2	1, 2
MRMPAL-KFS	0	3	0	0	0	0
MRCP-LKFS	0	3	0	0	0	0
MRWPE-LKFS	0	3	0	0	0	0
MRWPT-LKFS	1, 2	1, 2	0	0	0	1, 2
MRWPFC-LKFS	1, 2	1, 2	0	0	0	1, 2
MRWPA-LKFS	0	3	0	0	0	0
MRDDAL	0	3	2	0	0	0
MRBOL-R-LKFS	0	3	0	0	0	0
MRBOL-S-LKFS	0	3	0	0	0	0

Scenarios	0	Not an option
	1	Factory Installed
	2	Field Installed
	3	Remote Mount

MRMPAL MULTI-PURPOSE AREA LIGHT



STANDARD



FEATURES

- Field selectable 3500k (warm/neutral white), 4000k (neutral white) and 5000k (cool white) color temperatures.
- Available models provide from 2,000 to 7,200 lumens, and from 125 to 156 lumens per watt (LPW).
- Universal 120-277 AC voltage (50-60Hz) is standard.
- 0-10vdc dimming drivers are standard
- Photocell available (Sold separately). *
- Surge protection available

WARRANTY & LISTINGS

- cULus listed for wet locations in ambient temperatures from -40°C to 50°C (-40°F to 122°F).
- DLC premium approved.
- 5-year warranty of all electronics and housing.

Model	L	W	H	Weight
2L	4.3"	1.7"	5.8"	1 lbs.
4L	8.7"	1.9"	9"	4 lbs.
7L	8.7"	1.9"	9"	4 lbs.

ORDERING INFORMATION

Example: MRMPAL-4L-KFS

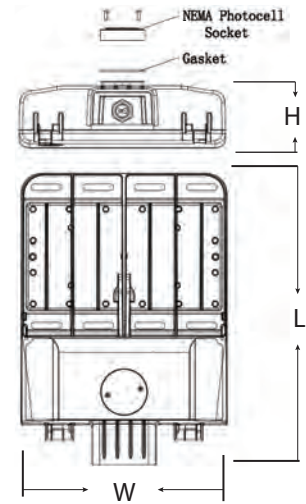
Series	Lumen Output		Color Temperature		Mounting Accessories (Order Separately)	
MRMPAL	2L	2000 lumens	KFS*	3500k	MPAL-KFS-YKL	Yoke mount, 4L & 7L
	4L	4000 lumens		4000k		
	7L	7000 lumens		5000k		
					MPOST17	Line voltage ground stake

* Field selectable.

* See Accessories Specifications on page 27

OUTDOOR

MRMPALPRO MULTI-PURPOSE AREA LIGHT PRO



STANDARD



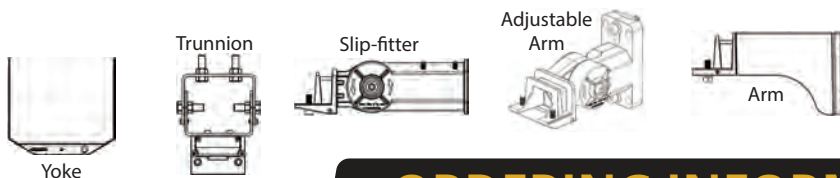
OUTDOOR

FEATURES

- Field selectable 3000k (warm white), 4000k (neutral white), and 5000k (cool white) color temperatures.
- Universal 120-277V (50/60Hz) or 277-480V (50/60Hz) AC voltage with 6-foot incoming power cords.
- 0-10vdc dimming drivers are standard.
- Adjustable housing – up to 90°.

WARRANTY & LISTINGS

- cULus listed for wet locations in ambient temperatures from -40°C to 50°C (-40°F to 122°F).
- DLC premium approved.
- 5-year warranty of all electronics and housing.



Model	24L	40L
L	17"	23.5"
W	12"	12"
H	4"	4"
Weight (lbs)	9 lbs	13.5 lbs

ORDERING INFORMATION

Example: MRMPALPRO-24L-LKFS-T3-P

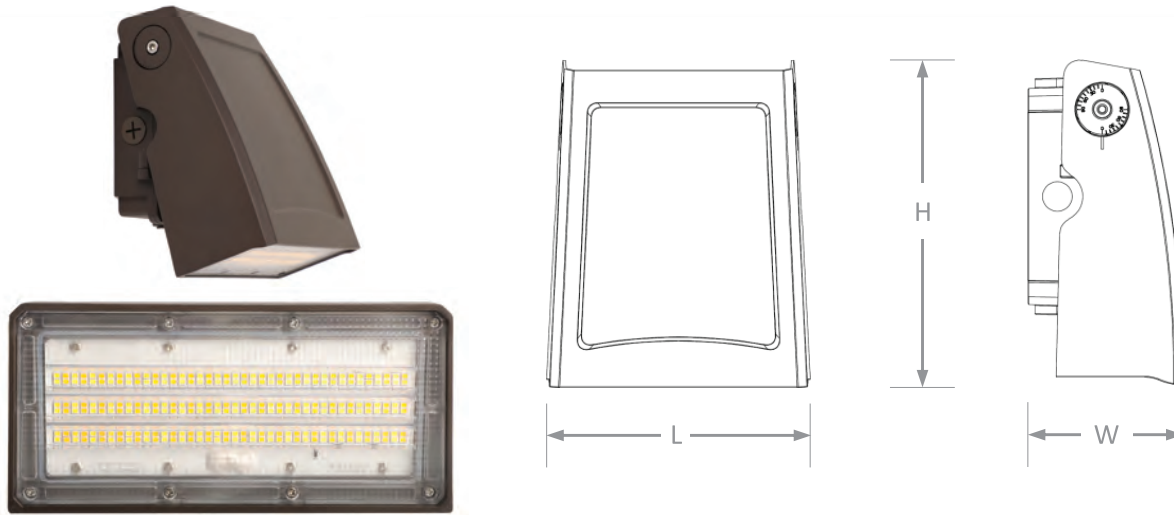
Series	Nominal Lumen Output Selectable	Selectable CCT	Distribution	Input Voltage	NEMA Photocell Receptacle**	Mounting Means (One Required - Order Separately)
MRMPALPRO	24L	24,000/20,000/14,000	LKFS* 3K/4K/5K	T3 Type III T5 Type V	Blank 120-277 UNC 277-480	MRMPAL-ARM Arm mount MRMPAL-ARM-A Arm mount adjustable MRMPAL-SF Slip-fitter mount MRMPAL-TM Trunnion mount MRMPALPRO-YM Yoke mount
	40L	40,000/34,000/28,000				

* Field selectable.

* See Accessories Specifications on page 27.

Pole tenons and tenon adapters available

MRWPA ADJUSTABLE WALL PACK



STANDARD



FEATURES

- Field selectable 3000k (warm white), 4000k (neutral white), and 5000k (cool white) color temperatures.
- Provides a range of 3,000 to 10,700 nominal lumens and 132 to 154 nominal lumens per watt (lm/W).
- Universal 120-277 AC voltage (50-60Hz)
- 0-10vdc dimming drivers are standard.

WARRANTY & LISTINGS

- cULus listed for wet locations in ambient temperatures from 40°C to 50°C (-40°F to 122°F).
- DLC premium approved.
- 5 year warranty of all electronics and housing.

Model	5L	10L
L	6.5"	8.5"
W	4"	5"
H	8"	11"
Weight (lbs)	3 lbs	5 lbs

ORDERING INFORMATION

Example: MRWPA-5L-LKFS

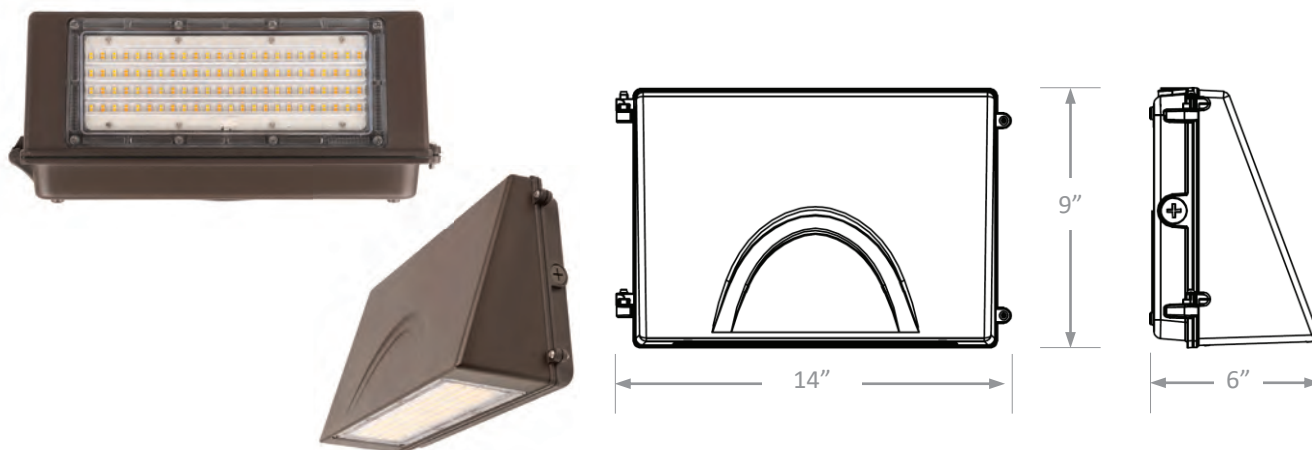
Series	Selectable Nominal Lumen Output		Selectable CCT	
MRWPA	5L 10L	5,000/3,800/3,000 lumens 10,000/9,000/7,000 lumens	LKFS*	3000K/4000K/5000K

* Field selectable.

Note- Information on available photocells can be found on page 27.

OUTDOOR

MRWPFC FULL CUT-OFF WALL PACK



STANDARD



FEATURES

- Field selectable 3000k (warm white), 4000k (neutral white), and 5000k (cool white) color temperatures.
- Full light cut off above 60 degree horizontal viewing plane.
- Provides a range of 5,200 to 16,800 nominal lumens and 130 to 161 nominal lumens per watt (lm/W).
- Universal 120-277 AC voltage (50-60Hz)
- 0-10vdc dimming drivers are standard.

WARRANTY & LISTINGS

- cULus listed for wet locations in ambient temperatures from 40°C to 50°C (-40°F to 122°F).
- DLC premium approved.
- 5 year warranty of all electronics and housing.

ORDERING INFORMATION

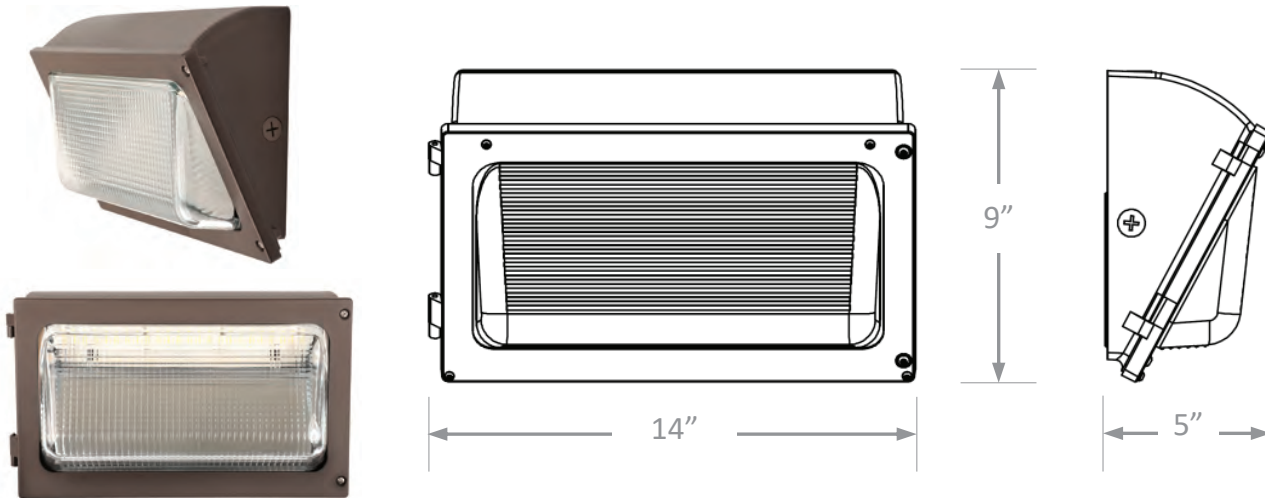
Example: MRWPFC-15L-LKFS P

Series	Selectable Nominal Lumen Output		Selectable CCT		Photocell*	
MRWPFC	8L	8,500/7,000/5,500 lumens	LKFS*	3000K/4000K/5000K	B	Button photocell
	15L	16,000/13,000/11,000 lumens			P	Pencil photocell
					Blank	No photocell

* Field selectable.

* See Accessories Specification on page 26.

MRWPT TRADITIONAL WALL PACK



STANDARD



FEATURES

- Field selectable 3000k (warm white), 4000k (neutral white), and 5000k (cool white) color temperatures.
- Provides a range of 4,300 to 15,500 nominal lumens and 124 to 159 nominal lumens per watt (lm/W).
- Universal 120-277 AC voltage (50-60Hz)
- 0-10vdc dimming drivers are standard.

WARRANTY & LISTINGS

- cULus listed for wet locations in ambient temperatures from -40°C to 40°C (-40°F to 104°F).
- DLC premium approved.
- 5-year warranty of all electronics and housing.

OUTDOOR

ORDERING INFORMATION

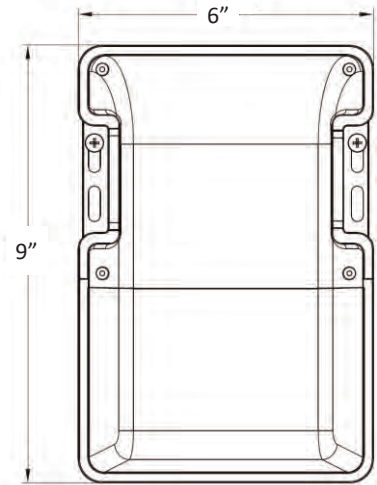
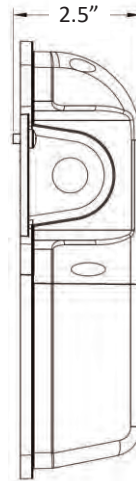
Example: MRWPT-10L-LKFS-B

Series	Nominal Lumen Output		Selectable CCT		Photocell*	
MRWPT	7L	7,000/5,500/4,500 lumens	LKFS*	3000K/4000K/5000K	B	Button photocell
	10L	10,000/8,500/6,500 lumens			P	Pencil photocell
	15L	15,000/13,000/10,000 lumens			Blank	No photocell

* Field selectable.

* See Accessories Specification on page 26.

MRWPE ECONOMY/SMALL WALL PACK



STANDARD



FEATURES

- Field selectable 3000k (warm white), 4000k (neutral white), and 5000k (cool white) color temperatures.
- Provides a range of 1,900 to 3,300 nominal lumens and 126 to 145 nominal lumens per watt (lm/W).
- Universal 120-277 AC voltage (50-60Hz)
- 0-10vdc dimming drivers are standard

WARRANTY & LISTINGS

- cULus listed for wet locations in ambient temperatures from -20°C to 50°C (-4°F to 122°F).
- DLC premium approved.
- 5-year warranty of all electronics and housing.

ORDERING INFORMATION

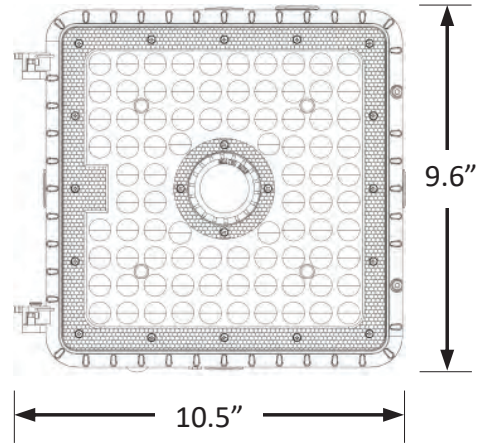
Example: MRWPE-3L-LKFS

Series	Selectable Nominal Lumen Output		Selectable CCT	
MRWPE	3L	3,000/2,600/2,000 lumens	LKFS*	3000K/4000K/5000K

* Field selectable.

OUTDOOR

MRCP CANOPY LIGHT



STANDARD



FEATURES

- Field selectable 3000k (warm white), 4000k (neutral white), and 5000k (cool white) color temperatures.
- CP 10L LKFS provides a range of 6,800 to 10,500 nominal lumens.
- Universal 120 277 AC voltage (50 60Hz) is standard.
- 0 10vdc dimming drivers are standard.

WARRANTY & LISTINGS

- cULus listed for wet locations in ambient temperatures from 40°C to 40°C (-40°F to 104°F).
- DLC premium approved for Fuel Pump and Parking Garage categories.
- 5 year warranty on all electronics and housing.

OUTDOOR

ORDERING INFORMATION

Example: MRCP-10L-LKFS-ODS-WHT

Series	Selectable Nominal Lumen Output		Selectable CCT		Occupancy Sensor*		Housing Color		Accessories* (Order Separately)	
MRCP	10L	10,000/8,000/7,000 Lumens	LKFS*	3000k/4000k/5000k	ODS	Microwave occupancy, dimming, & daylight sensor (factory installed)	BRZ	Bronze	MWAVEDHS-REM	Sensor remote control
					Blank	No sensor	WHT	White		

* Field selectable.

* See Accessories Specifications on page 27.

MRBOL ROUND AND SQUARE BOLLARDS



STANDARD



OUTDOOR

FEATURES

- Field selectable 3000k (warm white), 4000k (neutral white), and 5000k (cool white) color temperatures.
- Provides a range of 905 to 3,296 nominal lumens and 69 to 148 nominal lumens per watt (lm/W).
- Universal 120-277 AC voltage (50-60Hz)
- 0-10vdc dimming drivers, are standard.

WARRANTY & LISTINGS

- cULus listed for wet locations in ambient temperatures from -40°C to 55°C (-40°F to 131°F).
- DLC premium approved. ***
- 5-year warranty of all electronics and housing.

*** Excluding BOL-RDL models. BOL-RDL models are not DLC listed.

Model	L	W/Ø	H	Weight (lbs)
MRBOL-S	6	6	42	12
MRBOL-R	6	6	42	15
MRBOL-RD	6	6	44	12
MRBOL-RDL	6	6	44	13

ORDERING INFORMATION

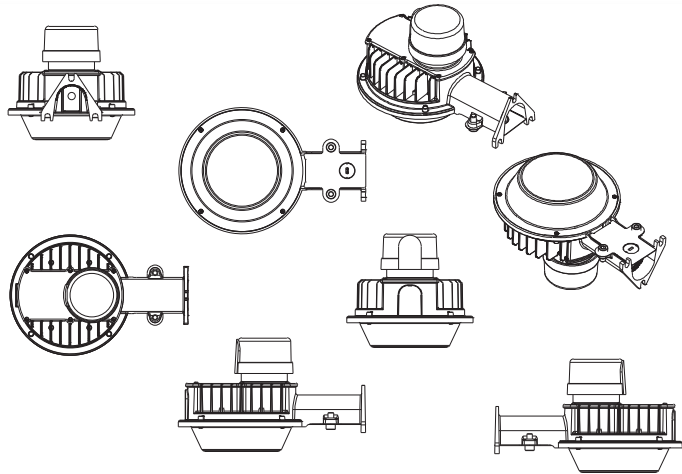
Example: MRBOL-R-3L-LKFS-BLK

Series	Model		Selectable Nominal Lumen Output		Selectable CCT		Housing Color		Required Mounting Means Order Separately	
MRBOL	R	Round	3L	3,200/2,600/1,900 lumen	LKFS*	3000/4000/5000K	BLK	Black	BOL-R-MTGKIT	Anchore bolt for round bollard
	S	Square								
	RD	Round Dome								
	RDL	Round Dome Louvered	2L	1,600/1,300/950 lm					BOL-S-MTGKIT	Anchore bolt for square bollard

*Field selectable

Note- Information on available photocells can be found on page 27.

MRDDAL DUSK-TO-DAWN AREA LIGHT



STANDARD



FEATURES

- Available in 5000k (cool white) color temperature.
- Provides 5,444 lumens and draws 39 watts (140 lumens per watt).
- Universal 120 277 AC voltage (50 60Hz).
- 0 10vdc dimming drivers are standard.

WARRANTY & LISTINGS

- cULus listed for wet locations in ambient temperatures from 40°C to 50 °C (4040°F to 122°F).
- DLC 5.1 premium approved.
- 5 year warranty of all electronics and housing.

OUTDOOR

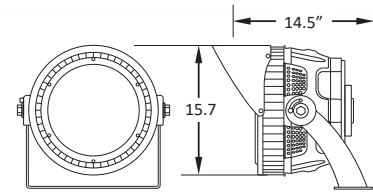
ORDERING INFORMATION

Example: MRDDAL-5L-5K

Series	Nominal Lumen Output		Color Temperature		Accessories (Order Separately)	
	5L	5,000	5K	5000K	LED-DDALSN-ARM	Mounting arm with bracket
MRDDAL	5L	5,000	5K	5000K	LED-DDALSN-ARM	Mounting arm with bracket

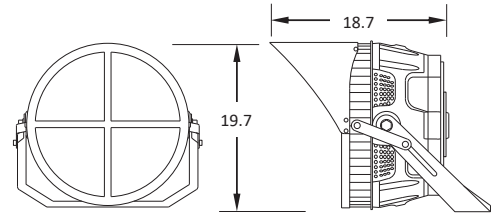
Note- Information on available photocells can be found on page 27.

MRSDM STADIUM LIGHT



SDM-77L & SDM-98L Models
(Weight: 66 lbs.)

SDM-163L Model
(Weight: 72 lbs.)



STANDARD



FEATURES

- Available in 3000k, 4000k, 5000k & 5700k color temperatures.
- Universal 120 277AC & 200 480 AC voltage (50 60Hz) are available.
- Available models provide 39,279 to 172,272 lumens, and 114 to 153 lumens per watt (LPW).
- 2 meter AC power cords are standard. 25 meter AC power cords are optional.

WARRANTY & LISTINGS

- cULus listed for wet locations in ambient temperatures from 40°C to 50°C (40°F to 122°F).
- IP66 rated for ingress protection.
- 5 year warranty of all electronics and housing.

ORDERING INFORMATION

Example: MRSDM-39L-3K-5X5

Series	Nominal Lumen Output		Color Temperature		Input Voltage		NEMA Distribution Type		Mounting Options		AC Power Cord Option		Accessories (Order Separately)	
MRSDM	39L	39,000 lumens	3K	3000K	Blank	120-277V	3x3*	3 Horizontal x 3 Vertical	RMB	Rotating Mounting Bracket	82C3	25-meter AC power cord-3-conductor	SDM- LAD	Laser Aiming Device
	50L	50,000 lumens	4K	4000K	UNC	200-480V	5x5*	5 Horizontal x 5 Vertical	Blank	Standard Wall Bracket	Blank	Standard AC Power Cords		
	64L	64,000 lumens	5K	5000K										
	77L	77,000 lumens	57K	5700K										
	98L	98,000 lumens												
163L	163,000 lumens													

* Type 3x3 distribution is available on 77L, 98L and 163L, and type 5x5 is available on 39L, 50L & 64L.

OUTDOOR